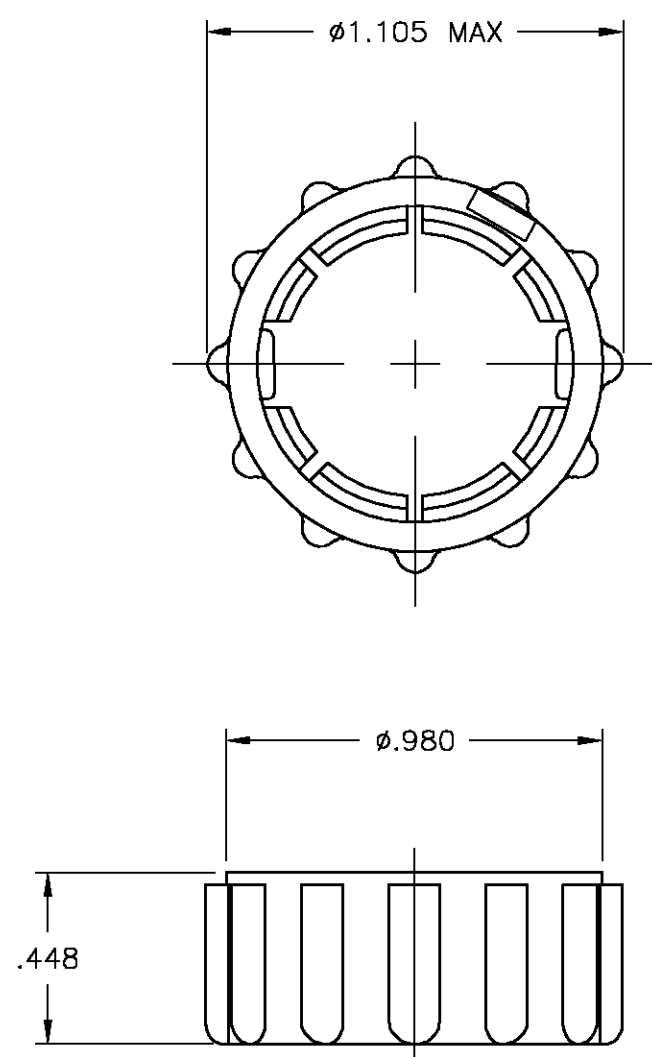


THIS DRAWING IS UNPUBLISHED. RELEASED FOR PUBLICATION
 © COPYRIGHT BY TYCO ELECTRONICS CORPORATION. ALL RIGHTS RESERVED.

LOC	DIST	REVISIONS			
P	LTR	DESCRIPTION	DATE	DWN	APVD
		C	REVISED PER 0G3B-0124-02	8/4/03	SS SH

NOTES:
 ① PRELIMINARY PART NUMBER.



①	PULL FREE	213813-2
	-	213813-1
	NOTES	PART NUMBER

THIS DRAWING IS A CONTROLLED DOCUMENT.		DWN D.HARDY 06/20/95	Tyco Electronics Corporation Harrisburg, PA 17105	
DIMENSIONS: INCHES		CHK R.STONE 06/21/95		
		APVD R.BYERS 06/21/95	NAME COUPLING RING, SIZE 13, CPC	
TOLERANCES UNLESS OTHERWISE SPECIFIED:		PRODUCT SPEC	-	
0 PLC ± - 1 PLC ± - 2 PLC ± - 3 PLC ± .010 4 PLC ± - ANGLES ± -		APPLICATION SPEC	-	
MATERIAL NYLON, BLACK		FINISH	-	
		WEIGHT	-	
		CUSTOMER DRAWING		RESTRICTED TO
		SIZE A3	CAGE CODE 00779	DRAWING NO C-213813
		SCALE 2:1	SHEET 1 OF 1	REV C